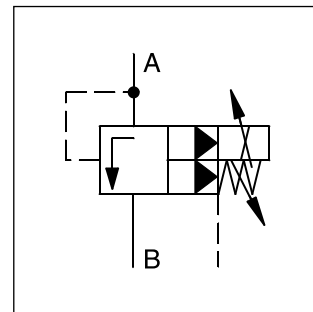


Characteristics

The proportional pressure relief valve series RE*E*W consists of a proportional pilot stage and a slip-in cartridge main stage. A mechanical maximum pressure stage is optionally available. For sizes NG25, NG32 and NG40 a screw-in cartridge is used, for sizes NG50 and NG63 an additional sandwich unit.

The RE*W model code embraces the pilot valves, covers and cartridges that are also offered as separate items. See combination examples for details.

In combination with the digital power amplifier PC-D00A-400 the valve parameters can be saved, changed and duplicated.

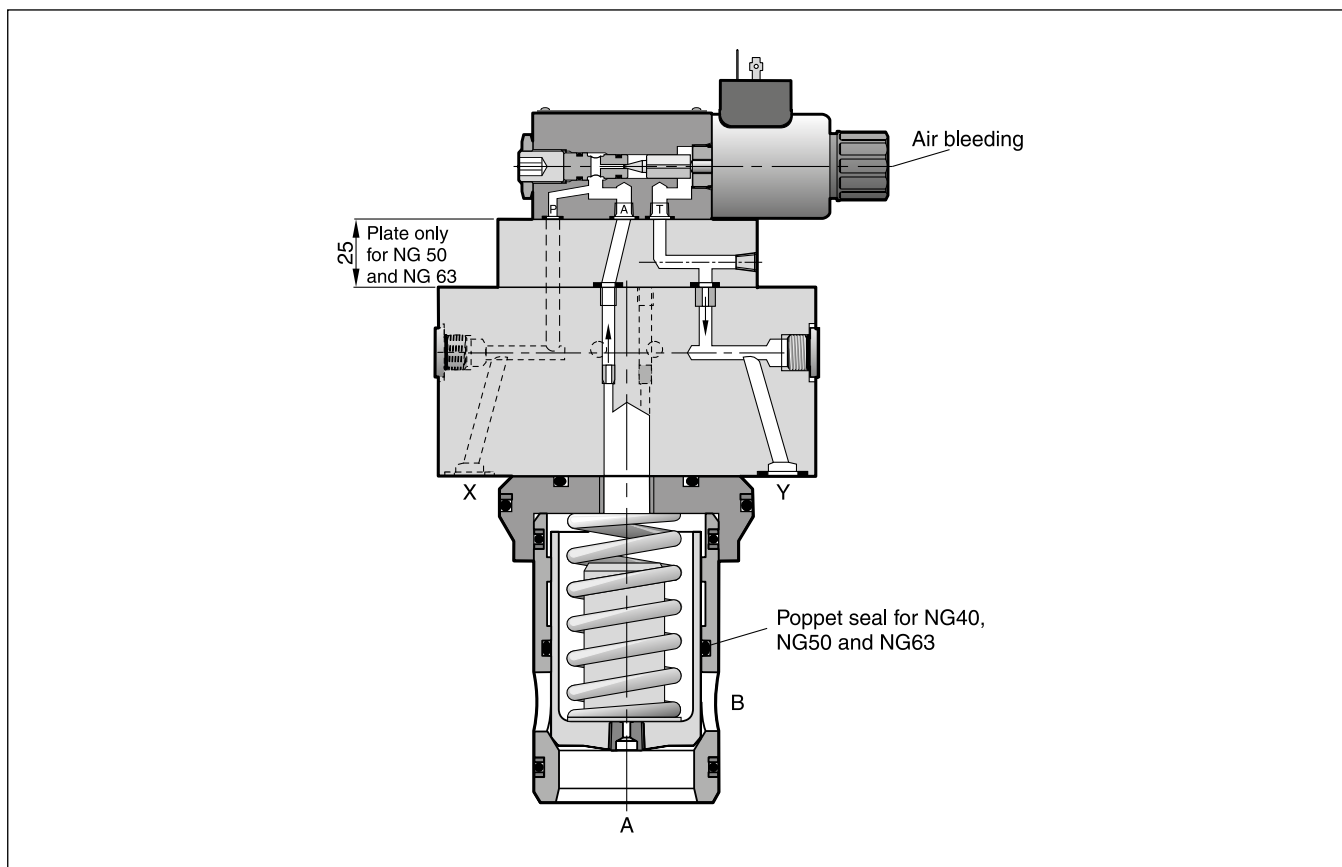


Features

- Pilot operated with proportional solenoid
- Continuous adjustment by proportional solenoid
- Optional mechanical max. pressure stage
- Cavity and mounting pattern according to ISO 7368
- 4 pressure stages
- 6 sizes, NG16 to NG63

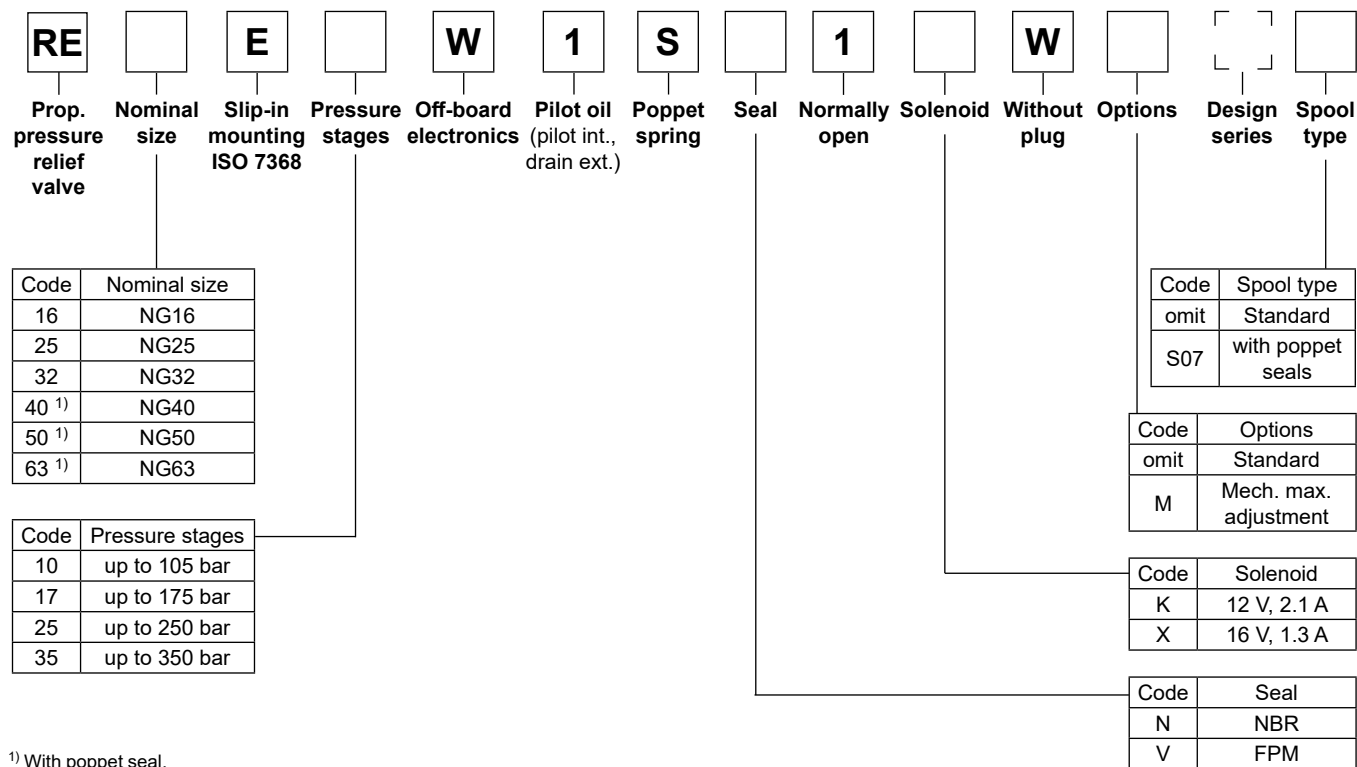
Note

Port X only usable for remote control.



Ordering Code / Technical Data

Ordering code

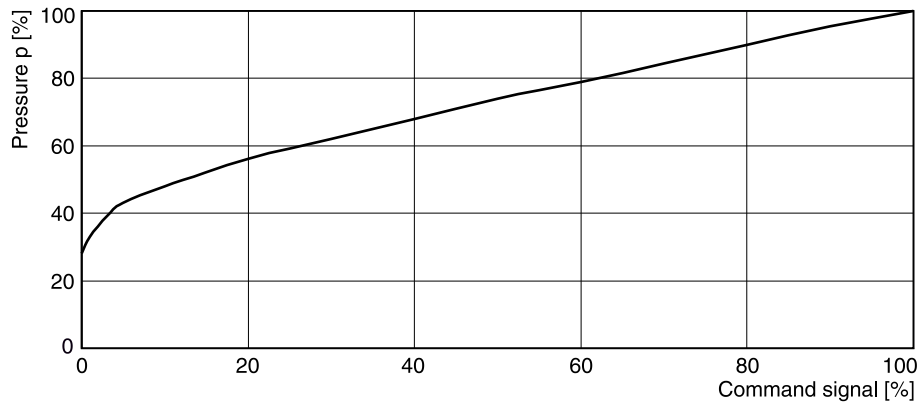


8

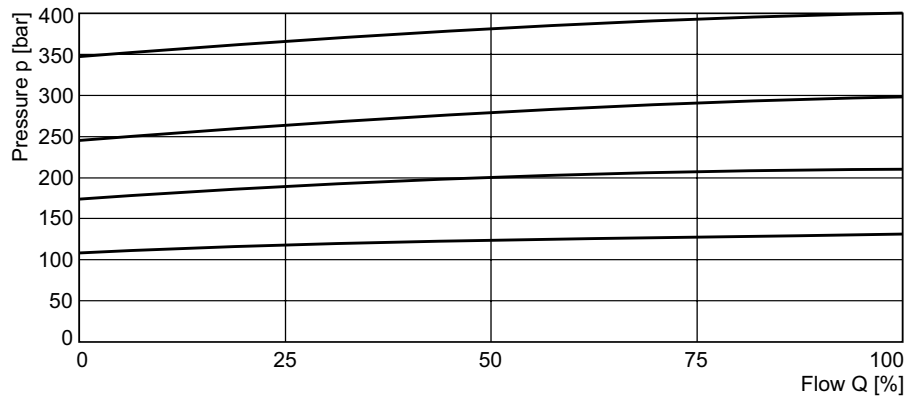
Technical data

General							
Nominal size		NG16	NG25	NG32	NG40	NG50	NG63
Interface	Slip-in mounting acc. ISO 7368						
Mounting position	as desired, horizontal mounting preferred						
Ambient temperature	[°C]	-20...+60					
MTTF _D value	[years]	75					
Weight	[kg]	2.7	5.2	6.4	9.5	15.2	24.3
Hydraulic							
Max. operating pressure	[bar]	Ports A and X 350, ports B and Y 30					
Pressure stages	[bar]	105, 175, 250, 350					
Nominal flow	[l/min]	220	500	950	1400	2300	4000
Fluid	Hydraulic oil according to DIN 51524						
Fluid temperature	[°C]	-20...+70 (NBR: -25...+70)					
Viscosity, permitted	[cSt] / [mm ² /s]	20...400					
Viscosity, recommended	[cSt] / [mm ² /s]	30...80					
Filtration	ISO 4406 (1999); 18/16/13						
Electrical (proportional solenoid)							
Duty ratio	100 % ED; CAUTION: coil temperature up to 150 °C possible						
Protection class	IP65 in accordance with EN 60529 (with correctly mounted plug-in connector)						
Code		K			X		
Supply voltage	[V]	12 V =			16 V =		
Max. current	[A]	2.1			1.3		
Coil resistance at 20 °C	[Ohm]	4.28			12		
Solenoid connection	Connector as per EN 175301-803						
Power amplifier, recommended	PCD00A-400						

Signal/pressure curve



p/Q performance curve

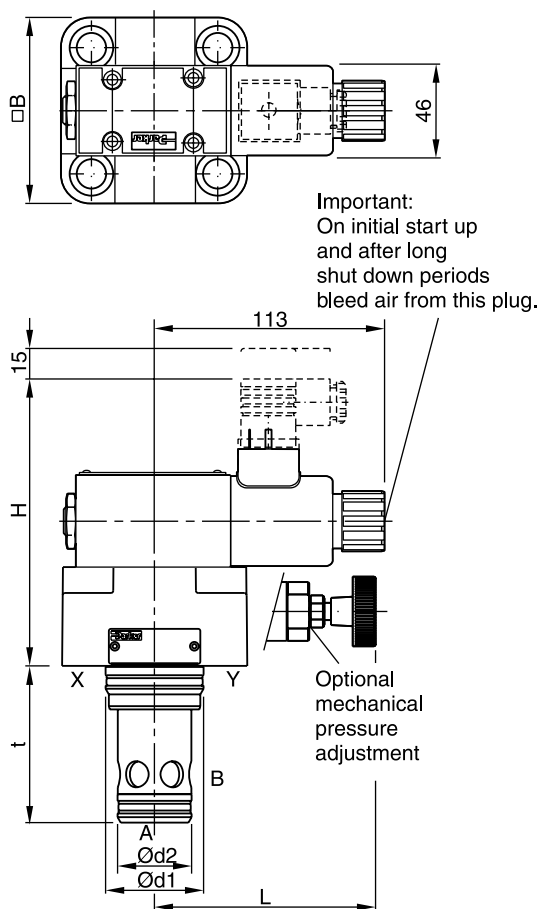


All characteristic curves measured with HLP46 at 50 °C.

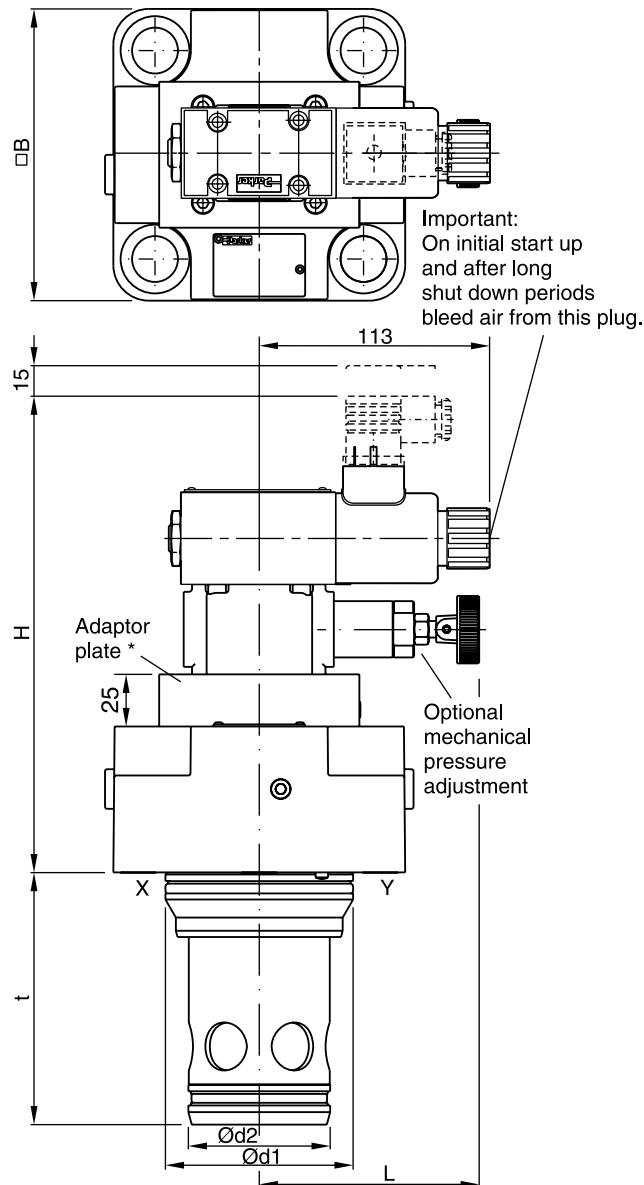
The performance curves are measured with external drain. For internal drain the tank pressure has to be added to curve.



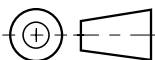
NG16 - NG32



NG40 - NG63 *)



8



NG	H	B	d_1	d_2	t	L
16	135	79 ¹⁾	32	25	56	114
25	140	85	45	34	72	102
32	145	102	60	45	85	95
40	137 (180.2) ²⁾	125	75	55	105	106
50	172 (215.2) ²⁾	140	90	68	122	106
63	187 (230.2) ²⁾	180	120	90	155	106

NG	Kit	ISO 4762-12.9	[Nm]	Kit	
				NBR	FPM
16	BK414	4 x M8x40	31.8	SK-RE16EN	SK-RE16EV
25	BK391	4 x M12x50	108	SK-RE25EN	SK-RE25EV
32	BK415	4 x M16x55	264	SK-RE32EN	SK-RE32EV
40	BK416	4 x M20x70	517	SK-RE40EN	SK-RE40EV
50	BK417	4 x M20x75	517	SK-RE50EN	SK-RE50EV
63	BK418	4 x M30x100	1775	SK-RE63EN	SK-RE63EV

* NG40 without adaptor plate.

¹⁾ Width 65 mm.

²⁾ With mechanical pressure adjustment.